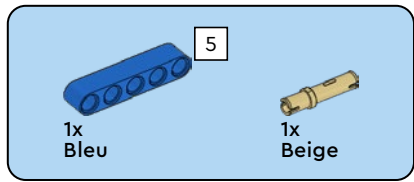
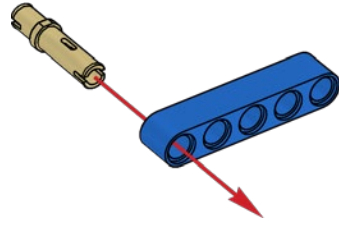


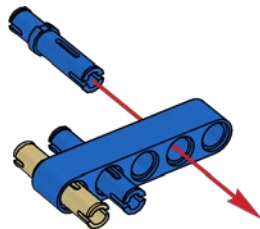
45826



1

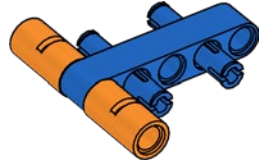


2



2x
Orange

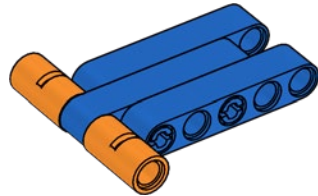
3

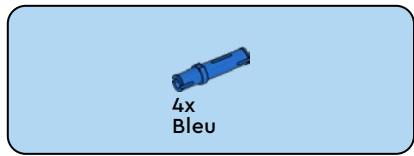


2x
Bleu

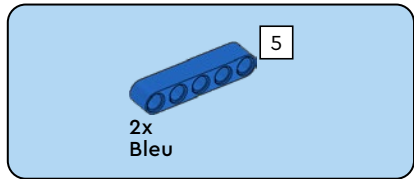
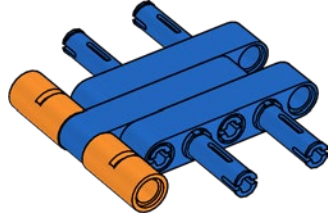
5

4

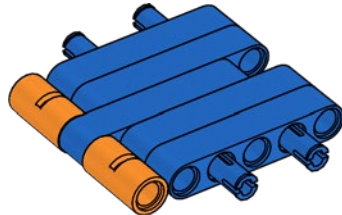


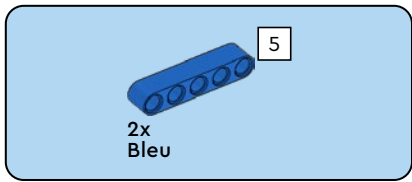


5

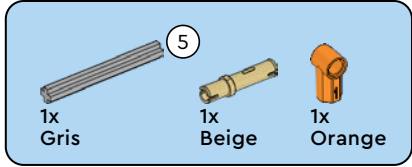
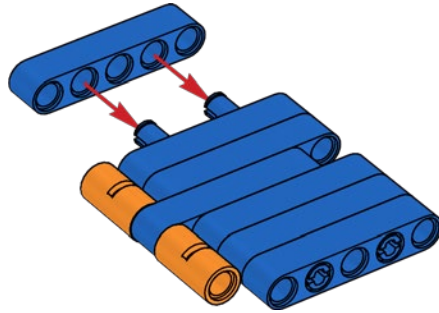


6

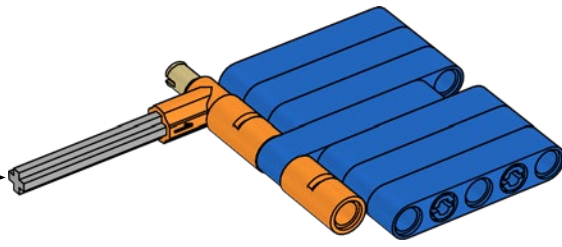
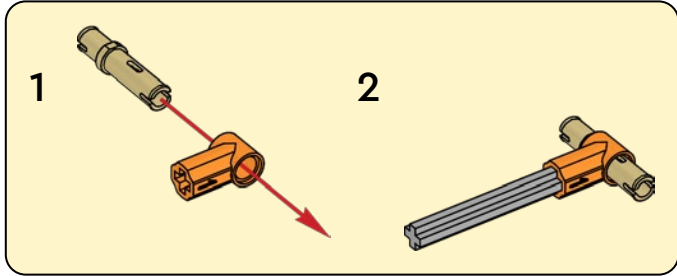


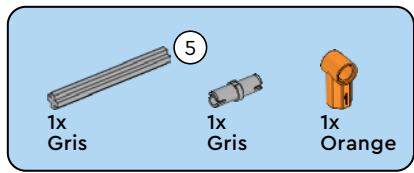


7

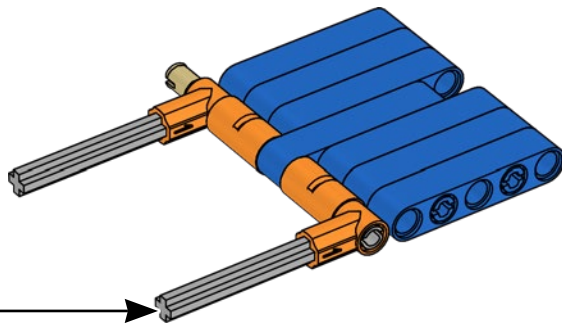
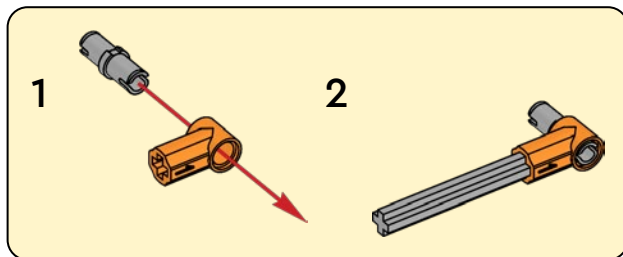
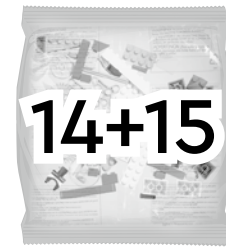


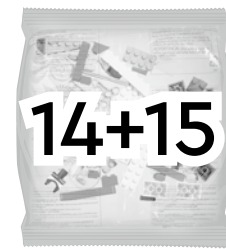
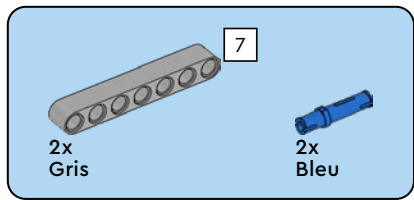
8



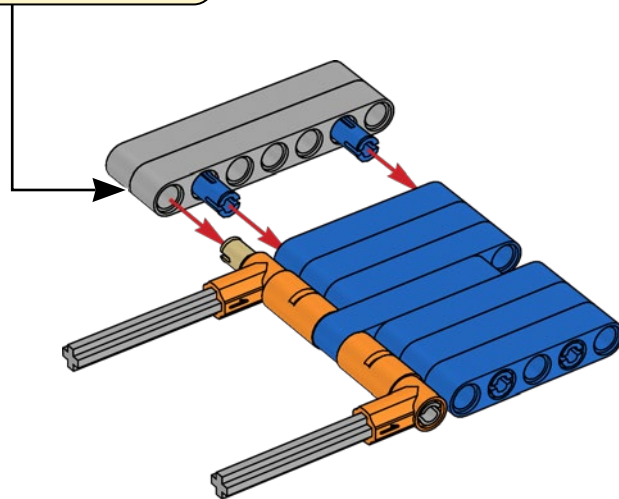
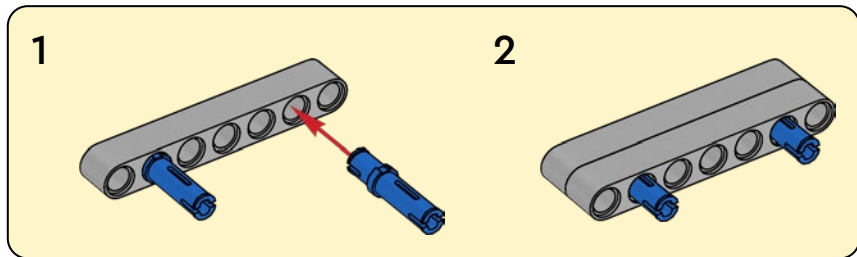


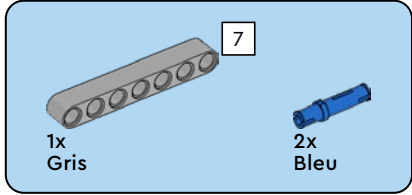
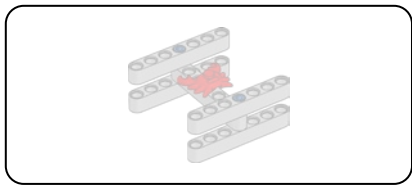
9



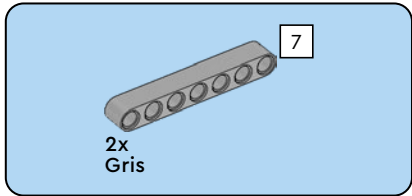
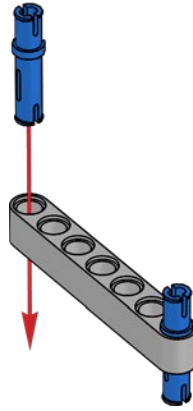


10

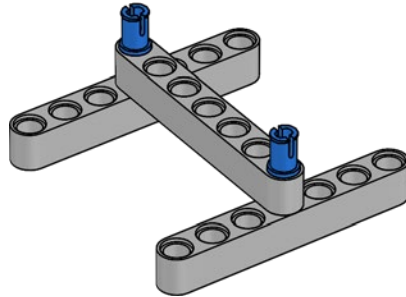


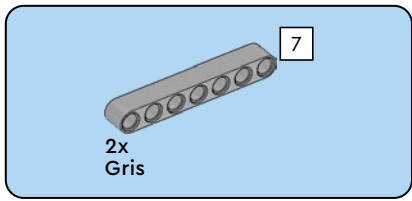


11

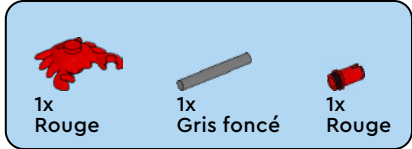
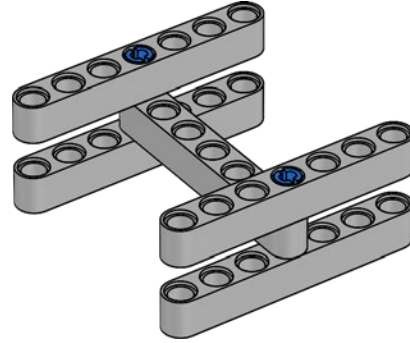


12

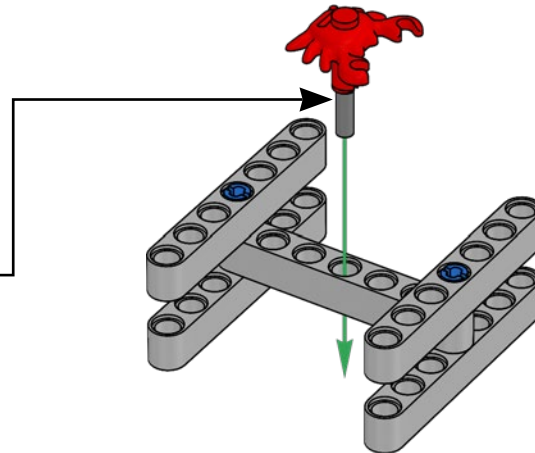
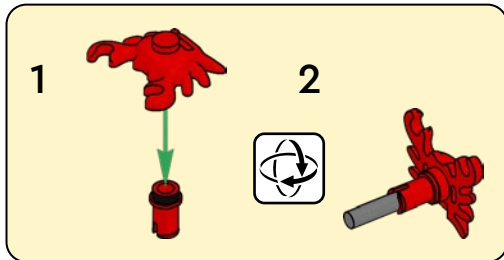




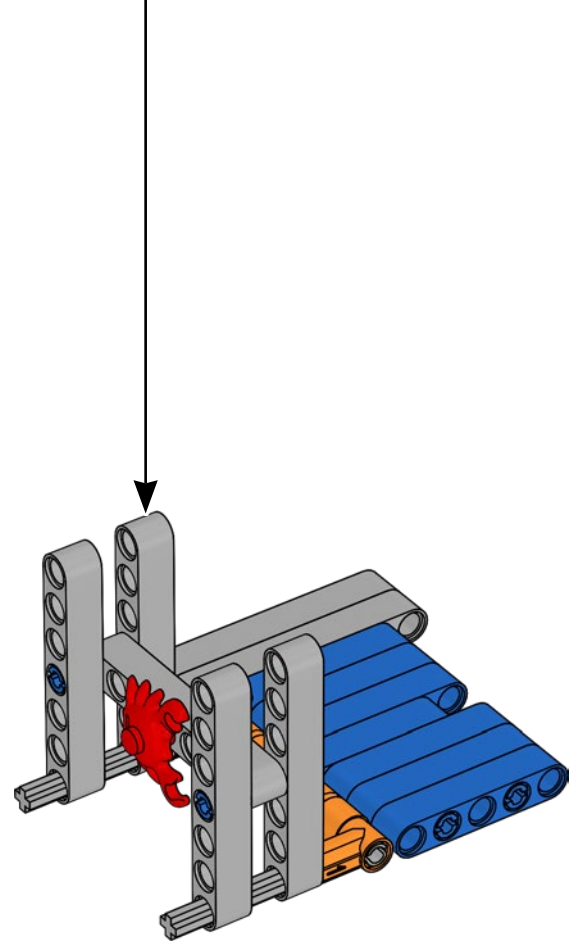
13

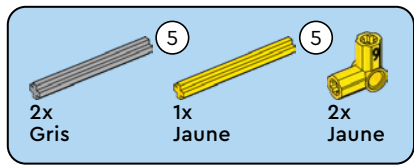


14

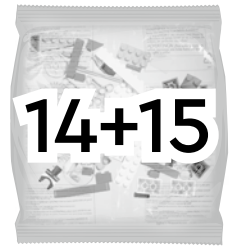
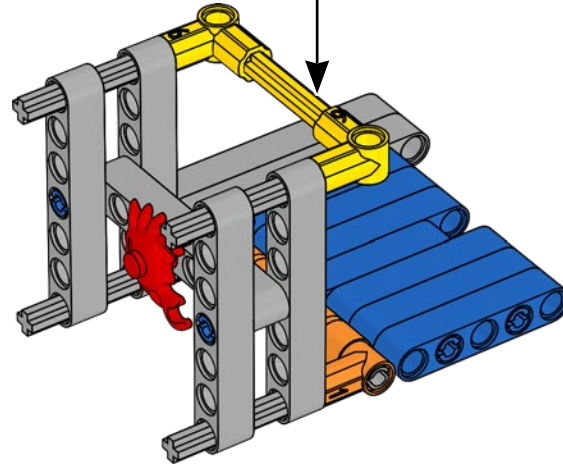
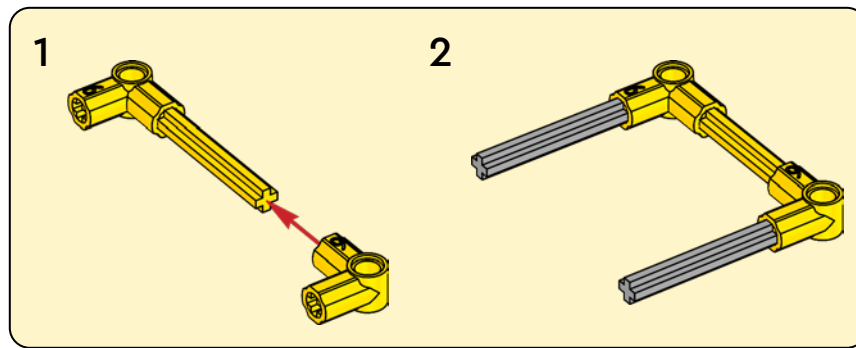


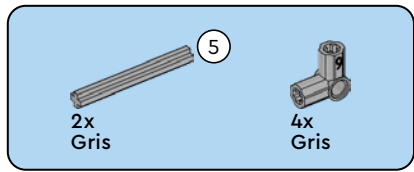
15



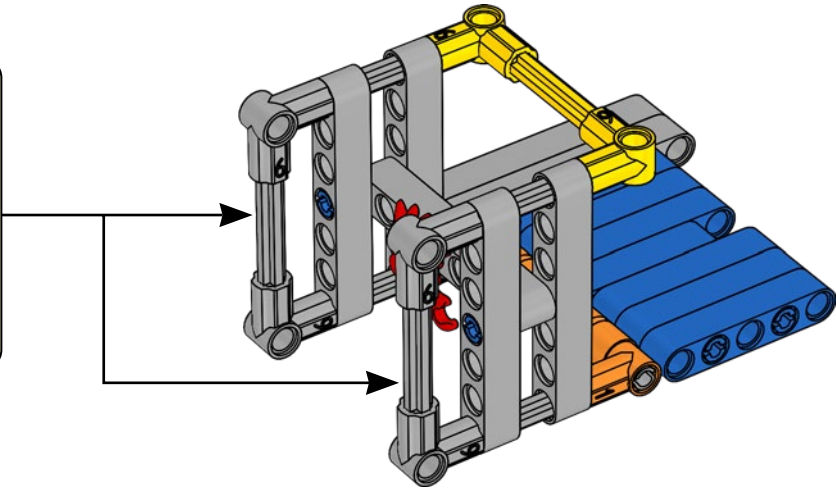
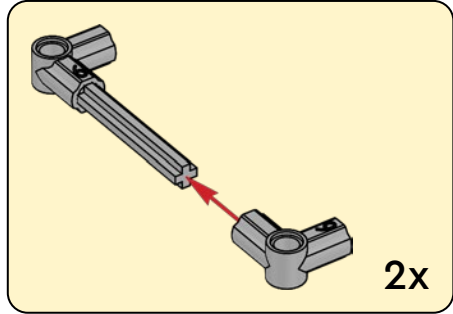


16



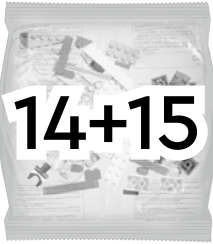


17



4x
Gris

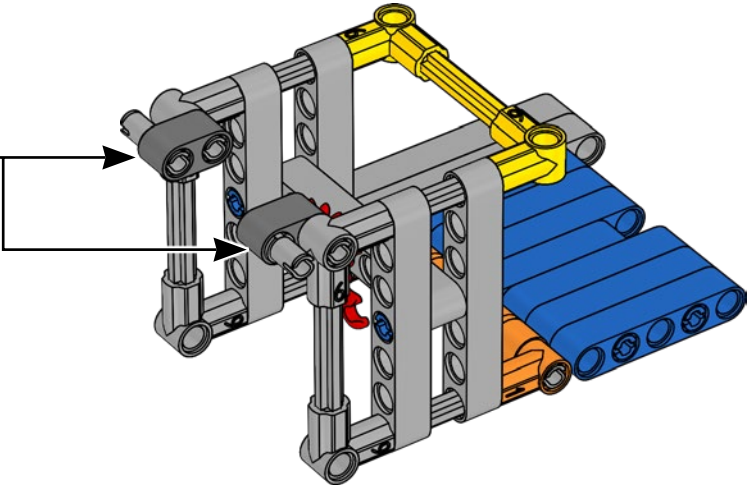
2x
Gris foncé

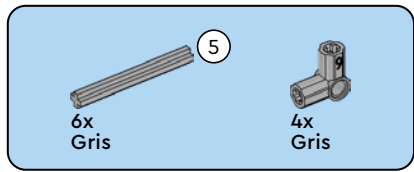


18

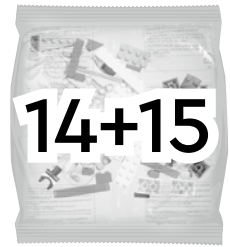
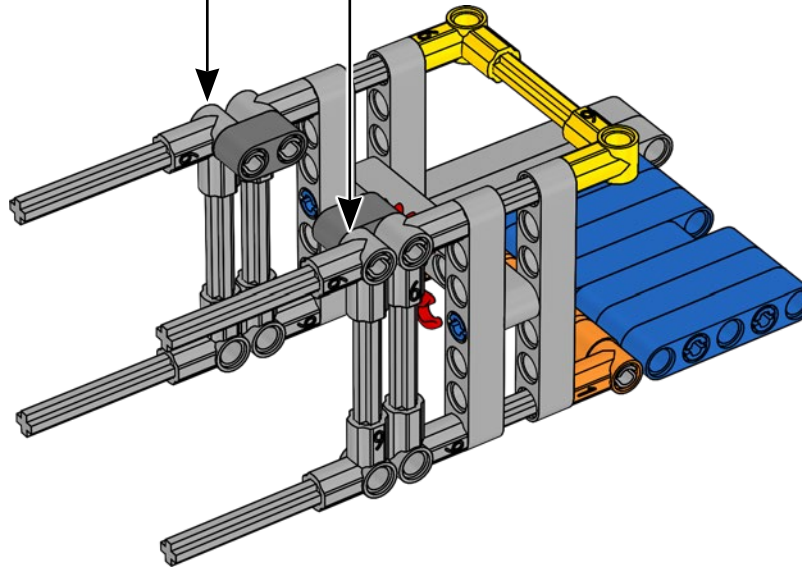
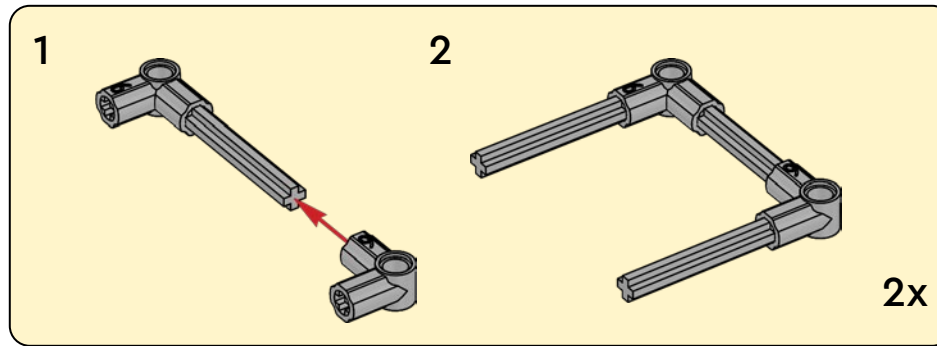
A close-up diagram showing a grey connector being inserted into a grey pin. A red arrow indicates the direction of insertion.

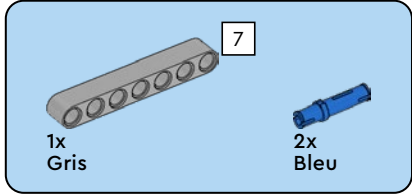
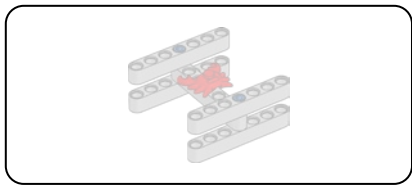
2x



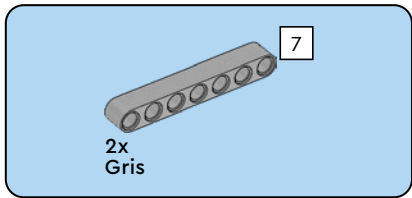
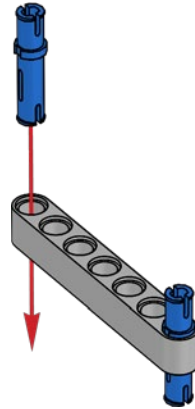


19

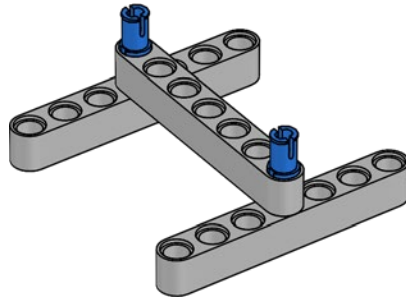


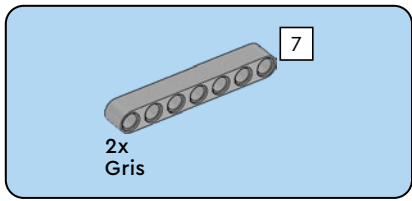


20

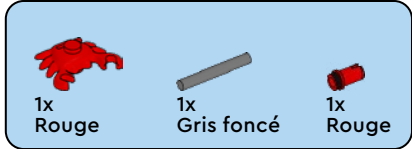
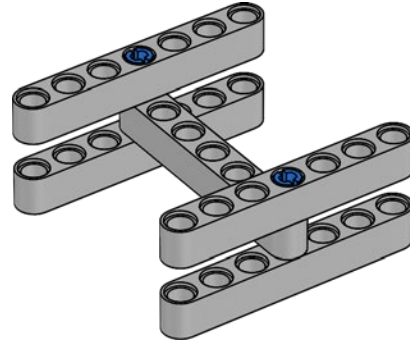


21

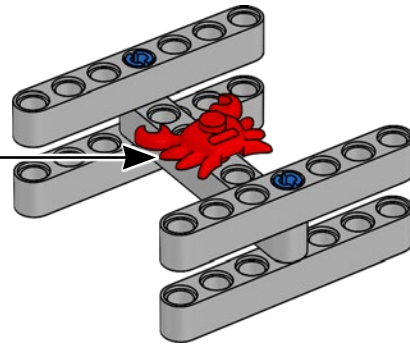
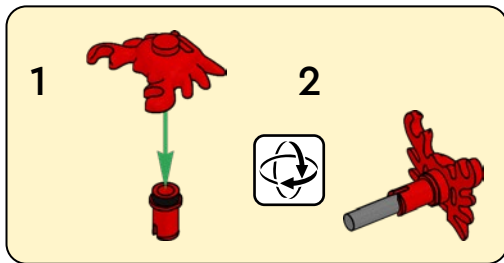




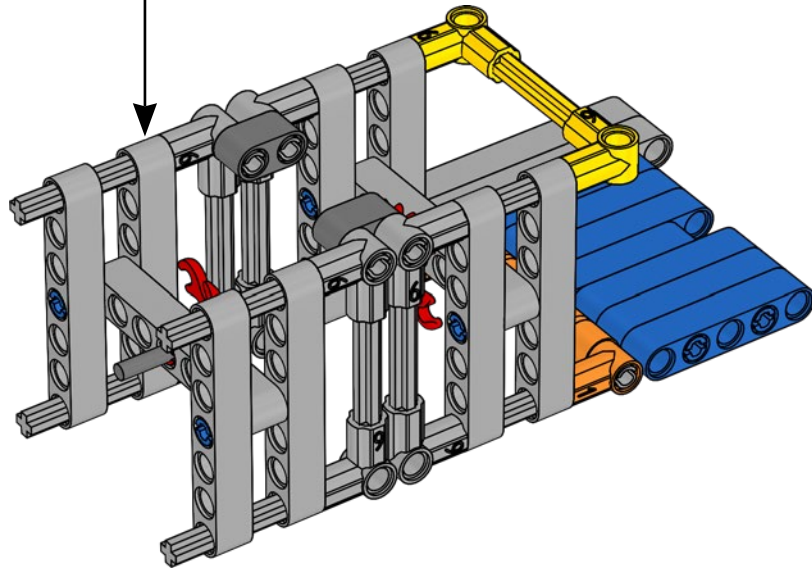
22

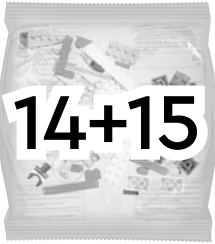
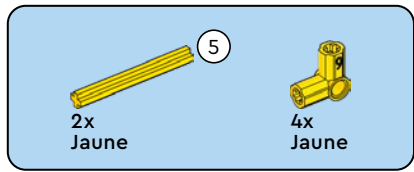


23

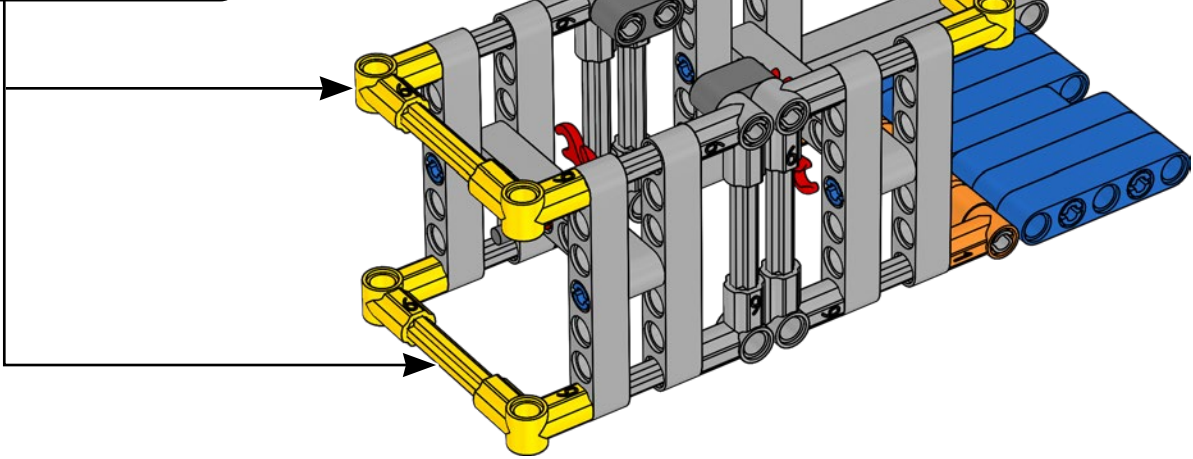
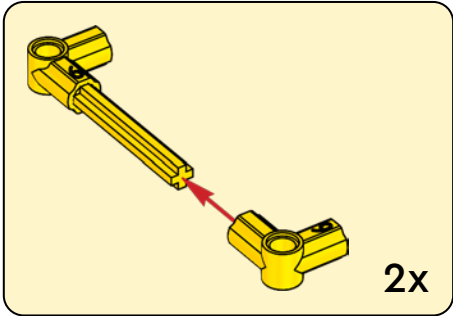


24





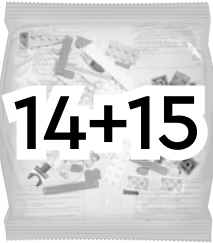
25



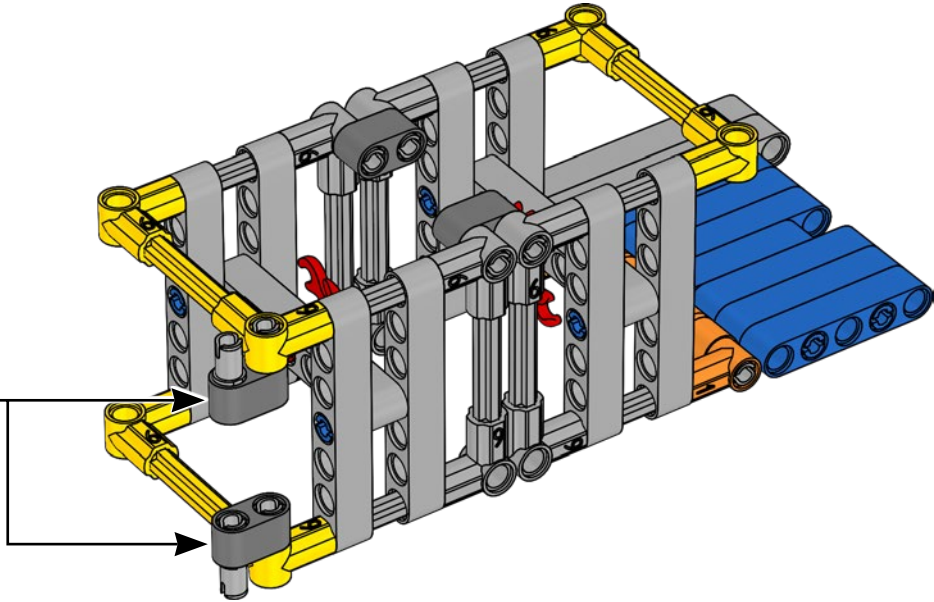
4x
Gris

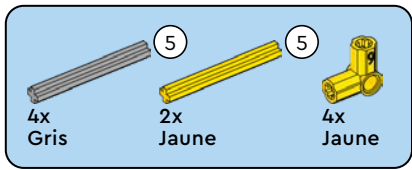
2x
Gris foncé

26

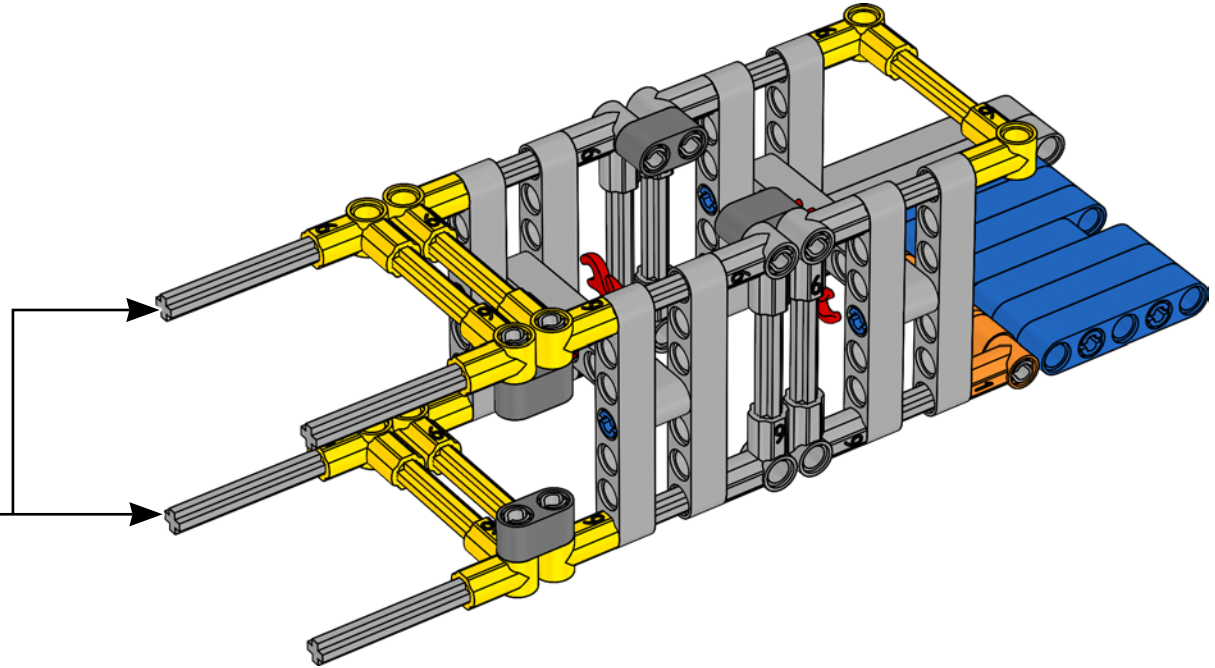
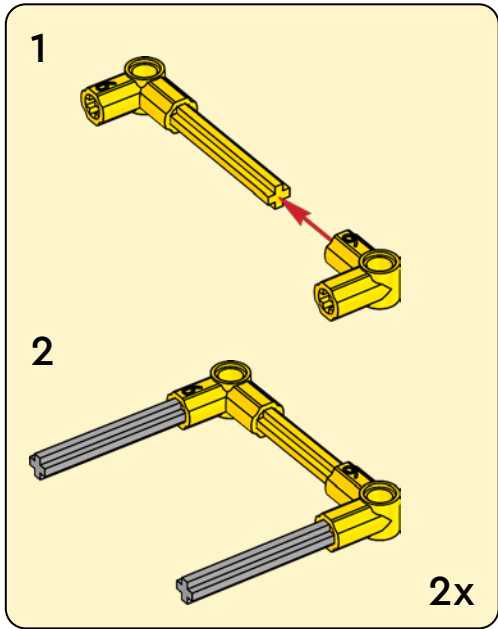


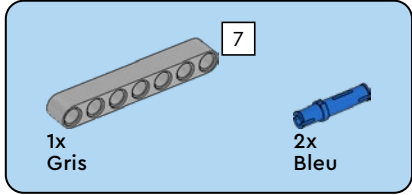
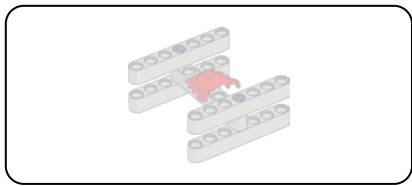
2x



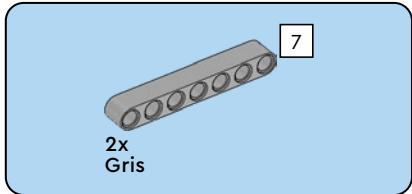
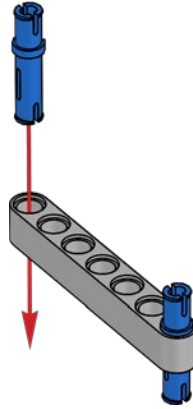


27

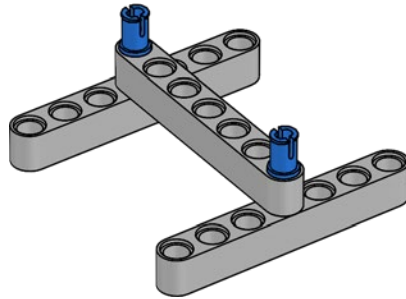


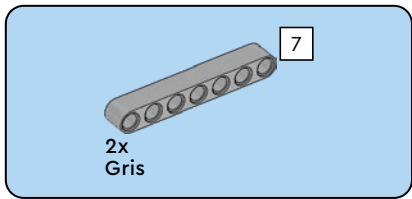


28

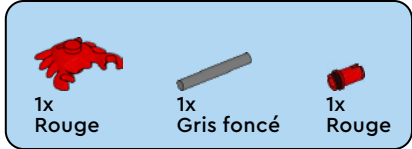
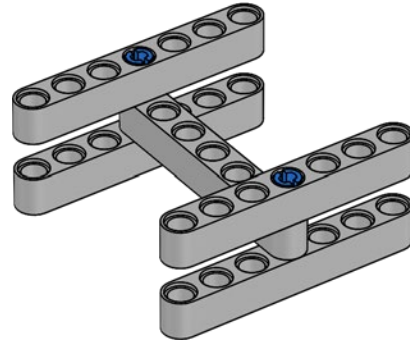


29

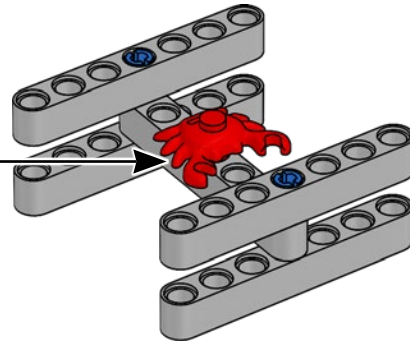
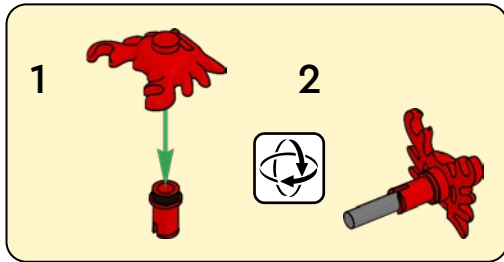




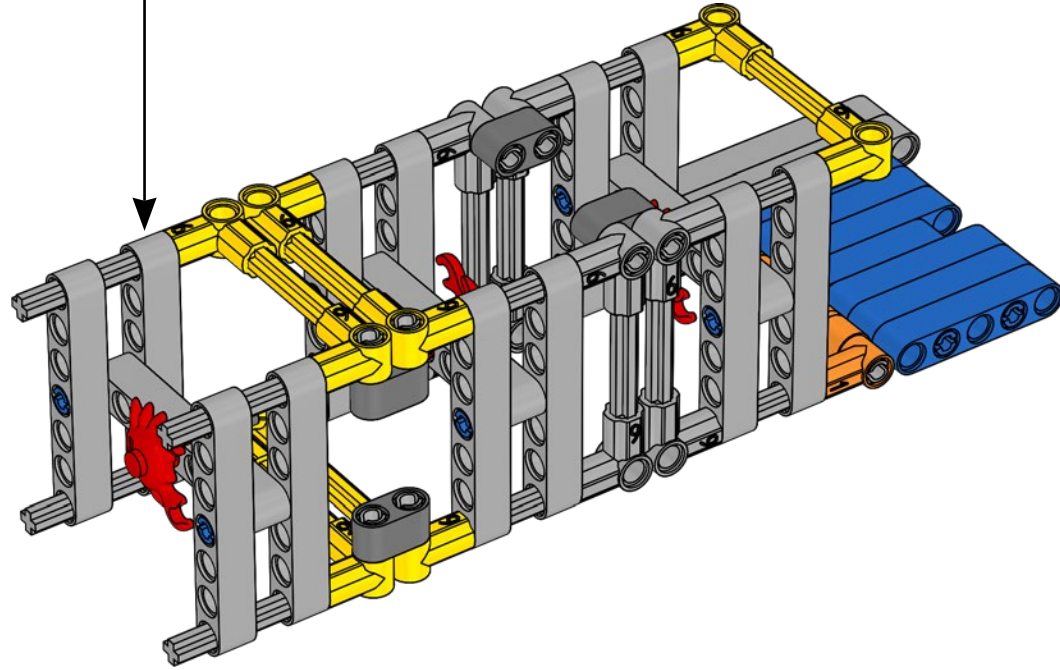
30

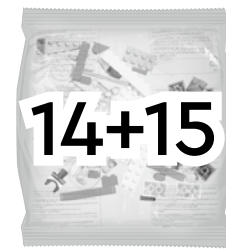
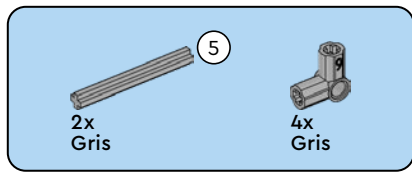


31

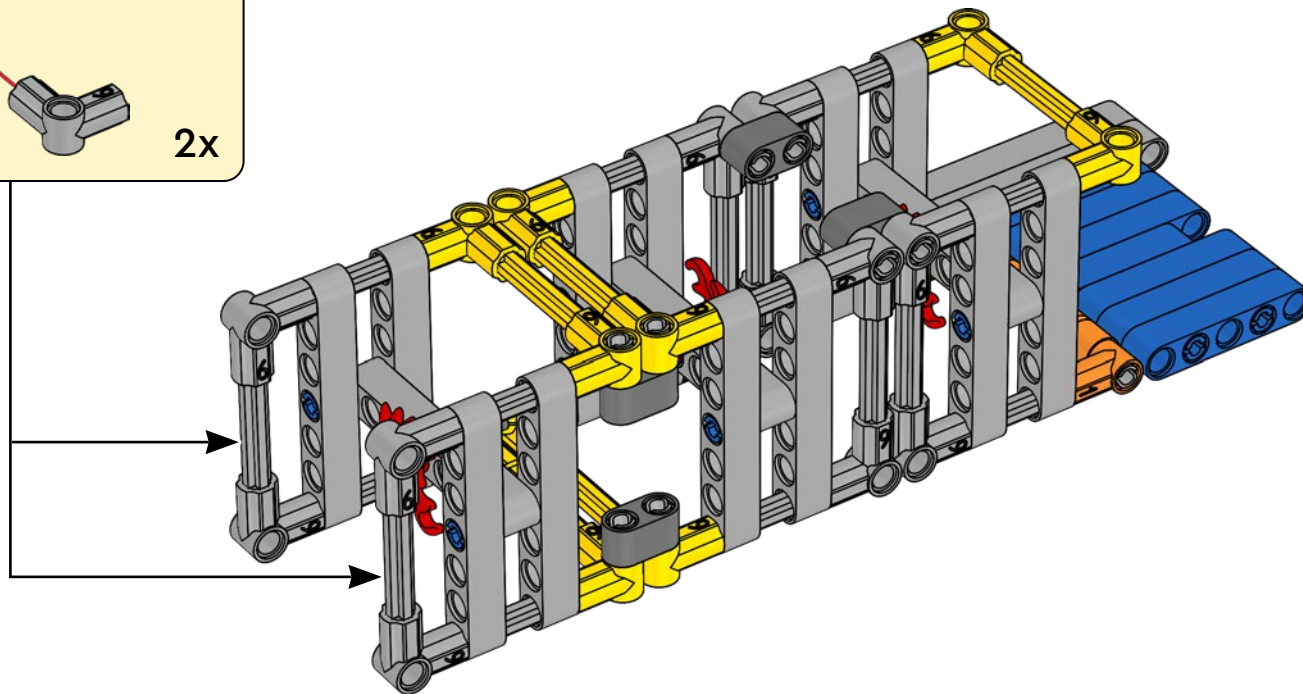
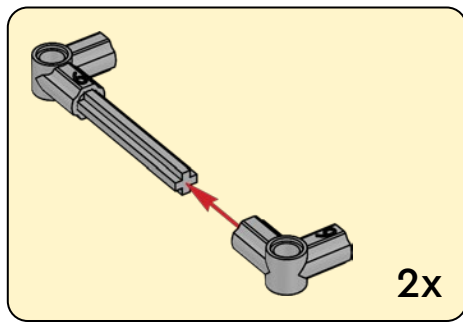


32



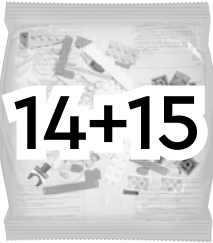


33



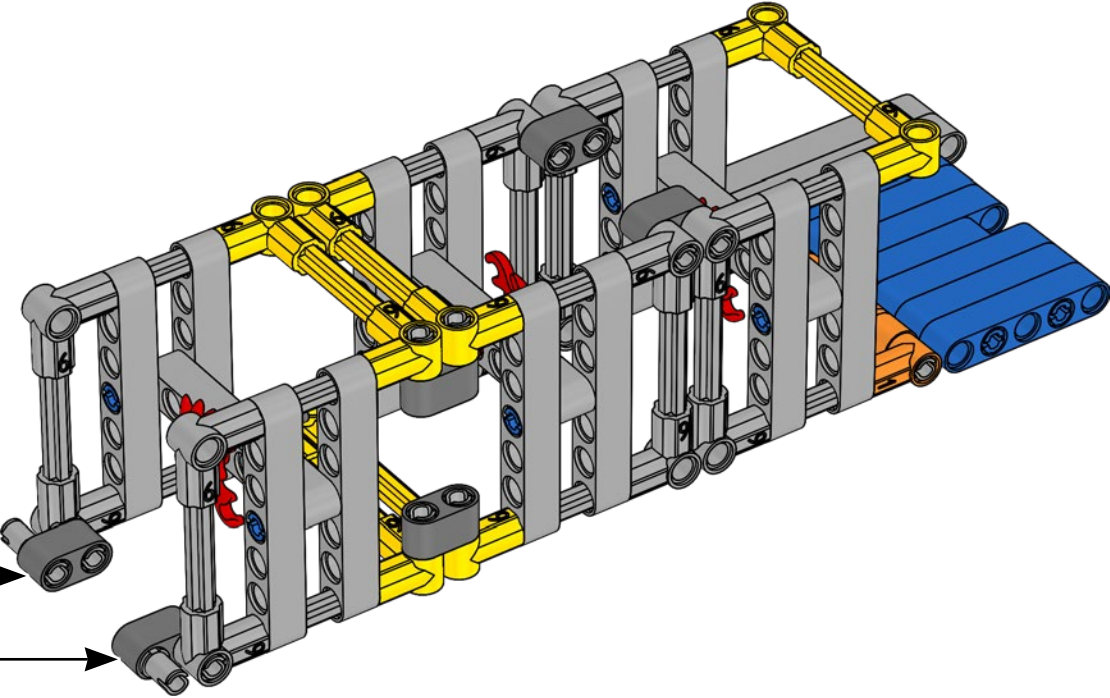
4x
Gris

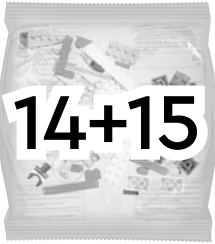
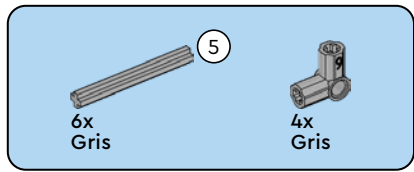
2x
Gris foncé



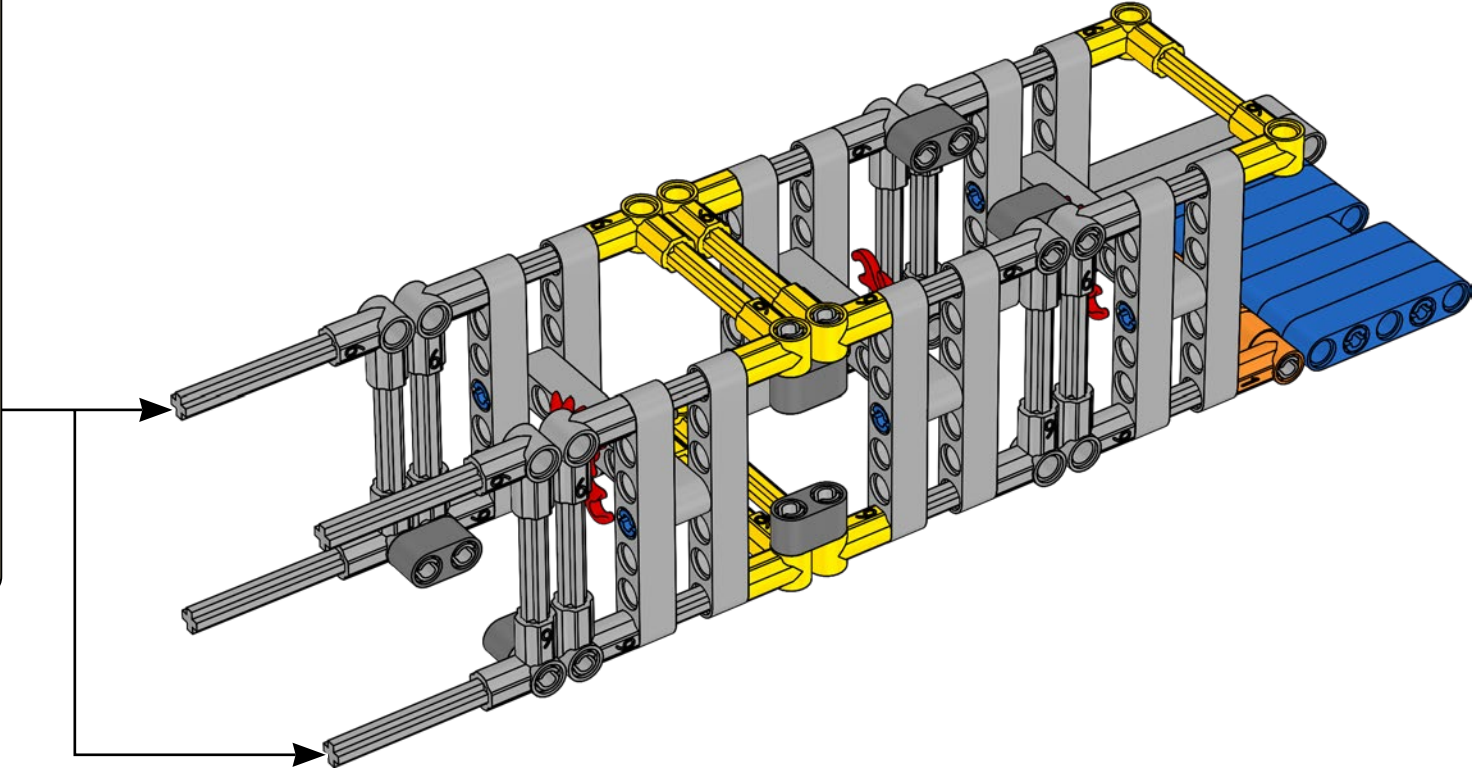
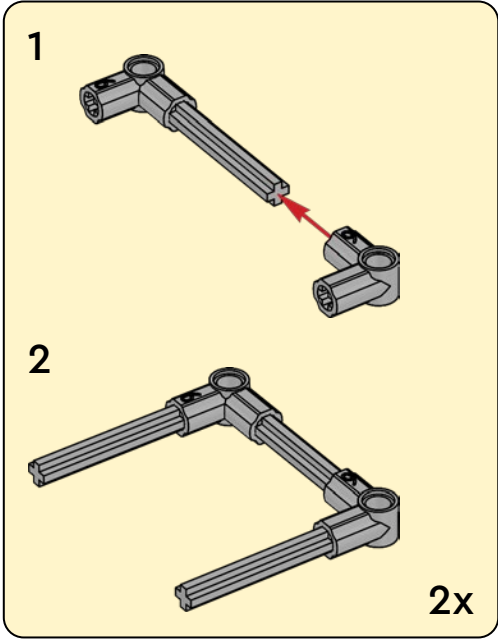
34

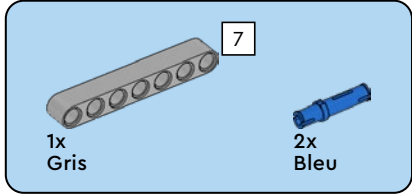
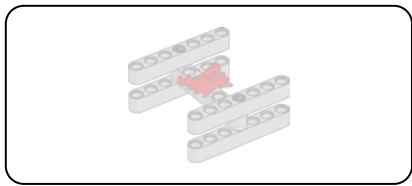
2x



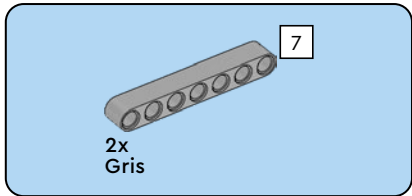
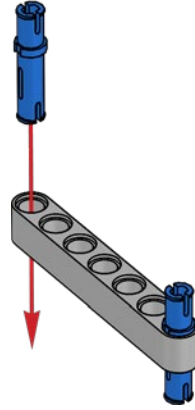


35

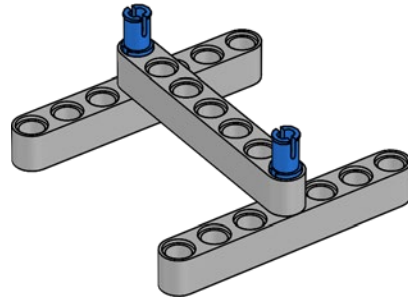


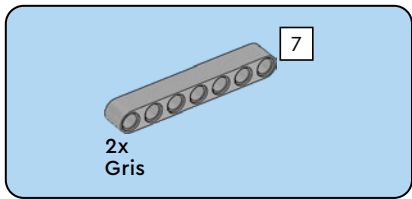


36

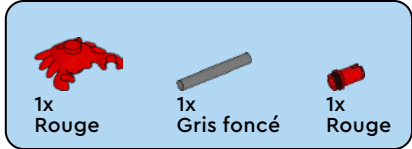
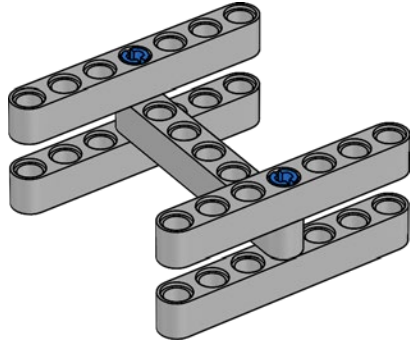


37

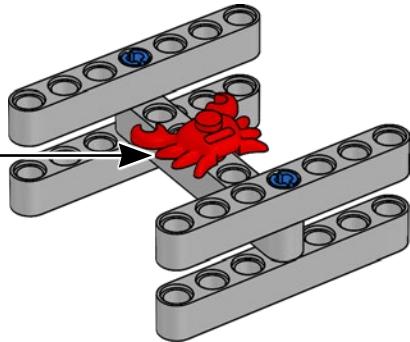
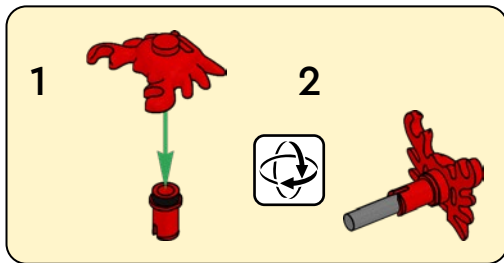




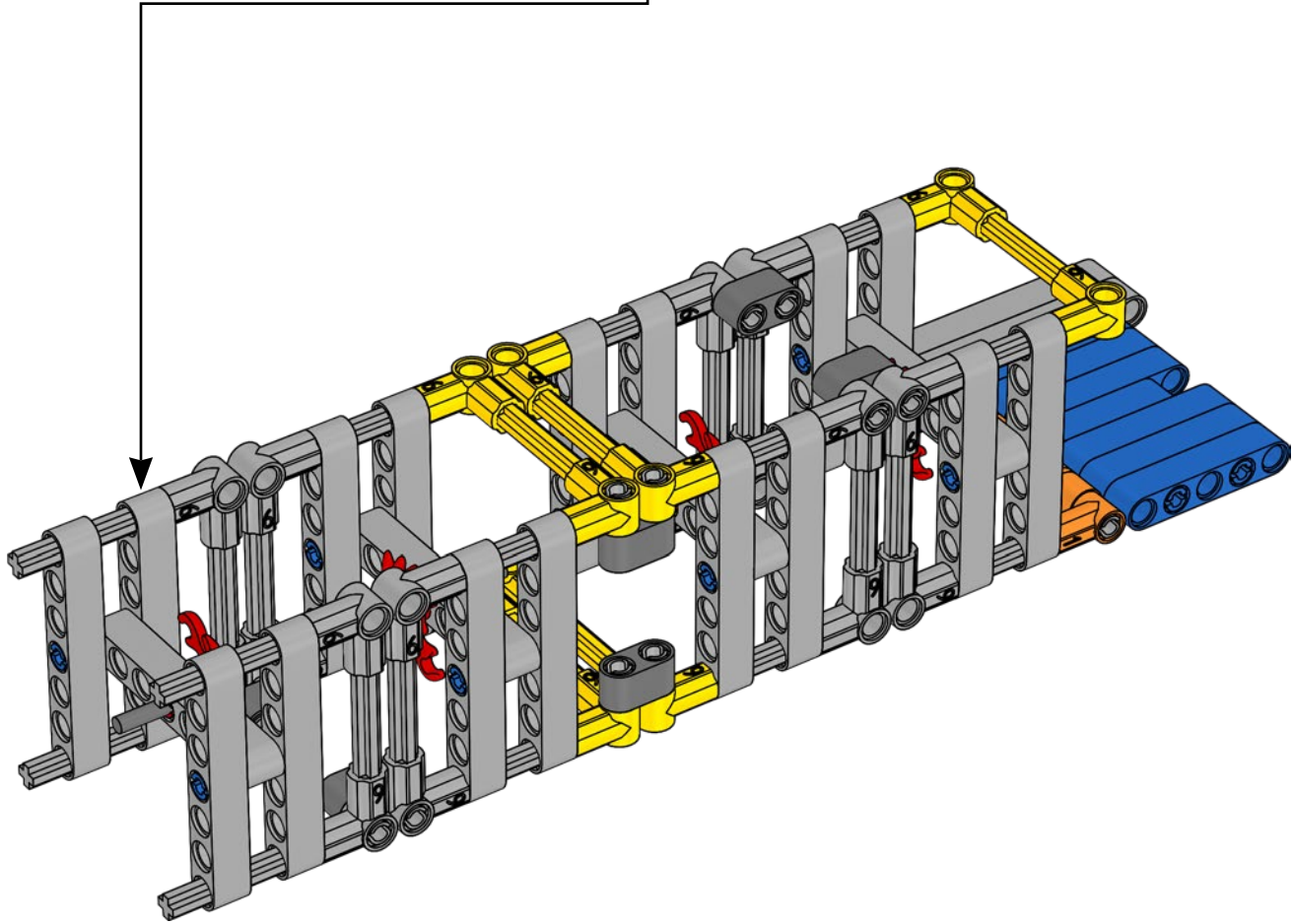
38

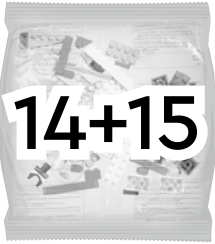
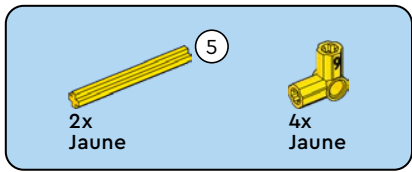


39



40





41

